

# MT500 Series Mechanical Tester

The MT500 Series mechanical test stand is an easy-to-use solution for force measurement applications up to 562 lbf (2.5 kN) capacities. The test stand may be equipped with a quick-action lever or precision handwheel for controlling crosshead speed and travel. The MT500 test stand can be bench mounted, wall mounted or positioned horizontally. Vertical clearances are available from 750mm (29.5 inch) up to 1500mm (60 inch). Standard stroke is 6 inches (150 mm), although longer strokes can be accommodated as a special order.

The MT500 Series features an innovative design that maximizes working space and simplifies operation and maintenance. The single column design with 150mm (6 in) throat is ideal for large specimens. The removable platen is designed to accommodate metric and imperial threaded fixtures. Special gauge adapter make gauge alignment automatic. Options include a digital travel indicator, capable of displaying travel up to 0.01mm (0.0005 inch) and column ruler which is graduated in millimeters and inches.

The MT500 Series includes hook, compression plate, adapters and gauge mounting hardware.

## FEATURES

- Large Working Area
  - Adjustable Platens Maximize Stroke
  - 150mm (6 in) Throat for Large Specimens
  - Universal Fixturing (Metric or Imperial)
  - 150mm (6 in) Full Crosshead Travel
- Modular Design
  - Bench, Horizontal or Wall Mounted
  - Lever or Handwheel Operation
  - Multiple Travel Lengths
  - Gauge Adapters
  - Lightweight and Portable
  - Simple Single Column Design
  - Kits for Field Modifications

## SPECIFICATIONS

Capacity:	562 lbf (2.5 kN)
Loading Method:	Quick-Action Lever or Handwheel
Travel Rates:	
Lever	75mm (3 in) per Revolution
Handwheel	12mm (0.5 in) per Revolution
Column Height:	
Standard	750mm (29.5 inch)
Extended	1000mm (39.4 inch)
Ultra	1500mm (59 inch)
Maximum Stroke:	150mm (6 in) *Longer Strokes available upon request
Weight:	Approx. 22 lbs (10 kg)



*MT500H  
Handwheel Actuated Tester with optional  
Digital Indicator and Wall Mounts.  
Shown with DG Series force gauge.*

**SPECIFICATION**  
SS-FM-3126-0603  
June 2003

**INTERNET**  
[www.ametek.com](http://www.ametek.com)  
[www.chatillon.com](http://www.chatillon.com)  
[www.lloyd-instruments.co.uk](http://www.lloyd-instruments.co.uk)

AMETEK and CHATILLON are registered trademarks of AMETEK, Inc.  
LLOYD INSTRUMENTS is a trademark of AMETEK, Inc.

Copyright 2003, by AMETEK, Inc.  
Printed in U.S.A

**Chatillon**   
A registered trademark of AMETEK Inc.

## ORDERING INFORMATION

Order No. Description

MT500L  
MT500H

### BASE Model Number - 1st thru 6th Characters

CHATILLON MT Series Mechanical Tester, Lever Actuated  
CHATILLON MT Series Mechanical Tester, Handwheel Actuated

### Column Height - 7th Character

S Standard, 750 mm (29.5 in)  
E Extended, 1000 mm (39.4 in)  
U Ultra, 1500 mm (60 in)

### Force Gauge Mounting Kit - 8th Character

1 DG Series Force Gauges  
2 DPPH, DFIS Series Force Gauges  
3 DFT Series Force Gauge  
X Not Required

### Mounting Style - 9th Character

B Bench, Vertical Mounting  
H Bench, Horizontal and Wall Mounting

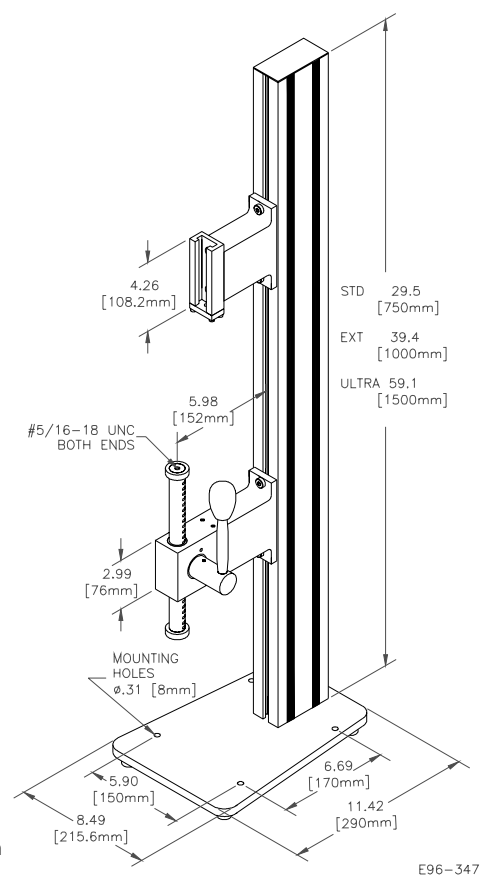
### Options - 10th Character

1 Digital Travel Indicator  
2 Ruler Assembly (Imperial/Metric Graduations)  
X Not Required

### Sample Order Number

CHATILLON MT500 Series (562 lbf), standard 750mm (29.5 in) travel with DG Series mounting kit. Vertical bench style with lever actuator. Optional digital travel indicator supplied.

MT500L S 1 B 1  
(MT500LS5B1)



## STANDARD ACCESSORIES

Order No.	Description
NC002660	User's Manual
NC000714	Hex Key, 6mm
SPK-FMG-012C	Hook, Stationary
17012	Platen, 3-inch diameter
NC002686	Set Screw, 5/16-18 x 1 inch
13048	Coupling, 1/4-28 to 5/16-18
ADT/0115	Eye End Adapter, 5/8-inch

## OPTIONAL ACCESSORIES

Order No.	Description
SPK-MT-Digital	Digital Travel Indicator (May be ordered as part of stand)
SPK-MT-Ruler	Ruler Assembly (May be ordered as part of stand)
SPK-MT-0001	Gauge Mounting Kit, DPP, LG, DFGS, DFA Force Gauges
SPK-MT-0002	Gauge Mounting Kit, DPPH, DFIS Force Gauges
SPK-MT-0003	Gauge Mounting Kit, DFM Force Gauge
SPK-MT-0004	Gauge Mounting Kit, DFT Force Gauge
SPK-MT-0005	Gauge Mounting Kit, DG Force Gauge
SPK-MT-REMOTE	Gauge Mounting Kit, REMOTE Series Loadcells
SPK-MT-Wall-Horz	Wall/Horizontal Mounting Kit Assembly
SPK-MT-L500	Lever Actuator Assembly Module
SPK-MT-H500	Handwheel Actuator Assembly Module

## AMETEK TEST AND CALIBRATION INSTRUMENTS

**Americas**  
AMETEK TCI Division  
8600 Somerset Drive  
Largo, Florida 33773  
United States of America  
Tel +1-727-536-7831  
Tel +1-800-527-9999  
Fax +1-727-539-6882  
Email chatillon.fl-lar@ametek.com

**United Kingdom**  
AMETEK Lloyd Instruments Ltd.  
Forum House, 12 Barnes Wallis Rd  
Segensworth East  
Fareham  
Hampshire PO15 5TT  
United Kingdom  
Tel +44-0-1489-574221  
Fax +44-0-1489-885118  
Email general@lloyd-instruments.co.uk

**France**  
AMETEK Lloyd Instruments SA  
3 avenue des Coudriers  
Zone d'Activite de l'Observatoire  
78180 Montigny-Le-Bretonneux  
France  
Tel +33-1-3057-4774  
Fax +33-1-3057-5033  
Email general@lloyd-instruments.co.uk

**Germany**  
AMETEK Precision Instruments  
Europe GmbH  
Rudolf-Diesel-Strasse 16  
D-40670 Meerbusch  
Germany  
Tel +49-0-2159-9136-70  
Fax +49-0-2159-9136-80  
Email apie@ametek.de

**Singapore**  
AMETEK Singapore Pvt. Ltd.  
10 Ang Mo Kio Street 65  
#05-12 Techpoint  
Singapore 569059  
Tel +65-484-2388  
Fax +65-481-6588  
Email aspl@ametek.com.sg

Information within this document is subject to change without notice.

ISO 9001  
ISO 17025  
Manufacturer