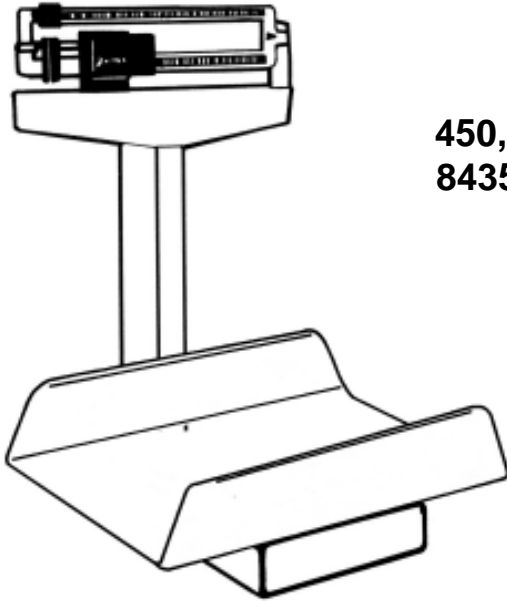
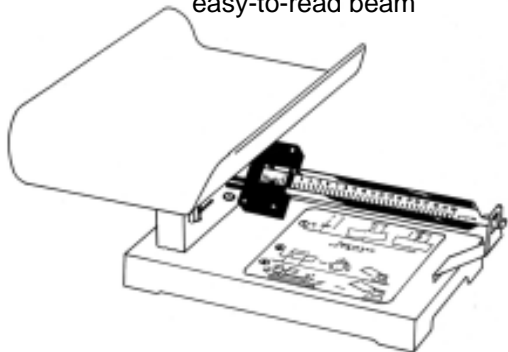


PEDIATRIC & INFANT SCALES



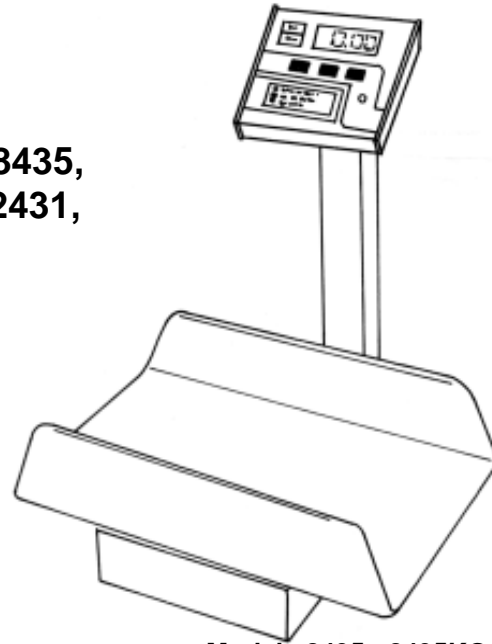
Models 450 - 451 - 459

450 Capacity: 130 lb x 1 oz
 451 Capacity: 65 kg x 20 g
 459 Capacity: 40 lb x .5 oz/17.5 kg x 10 g
 Ship Wt: 33 lb
 Tray: 22" x 14 3/4" x 4 1/2" washable polystyrene
 Dimensions: 27" H x 22" W x 21" D
 Color: White
 Heavy-duty rust resistant understructure, die-cast easy-to-read beam



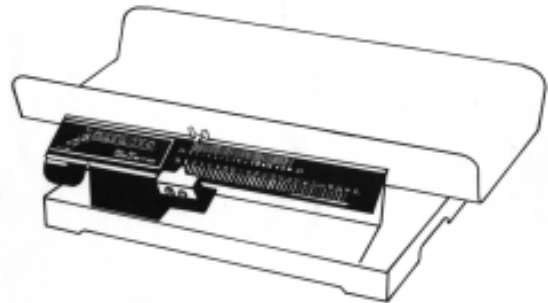
Models 243 - 2431

243 Capacity: 20 lb x 2 oz
 2431 Capacity: 10 kg x 50 g
 Ship Wt: 21 lb
 Tray: 19" x 10 3/4" x 2 1/2" baked enamel
 Dimensions: 10 1/2" H x 21" W x 19" D
 Color: White
 Springless balance beam, easy-to-read - blue graduations and numerals on white background



Models 8435 - 8435KG

8435 Capacity: 130 lb x .1 lb/40 kg x .02 kg
 Ship Wt: 33 lb
 8435KG Capacity: 40 kg x .02 kg
 Ship Wt: 38 lb
 Tray: 22" x 14 3/4" x 4 1/2" washable polystyrene
 Dimensions: 20 1/4" H x 22" W x 22" D
 Color: White
 Heavy-duty rust resistant understructure, easy-to-read .7" high, battery powered digital display



Models 253 - 2531

253 Capacity: 41 lb x .25 oz
 2531 Capacity: 20.5 kg x 10 g
 Ship Wt: 27 lb
 Tray: 24" H x 11 1/2" W x 2 3/4" D baked enamel
 Dimensions: 6 3/4" H x 24" W x 13 3/4" D
 Color: White
 Easy-to-read springless balance beam