

Alabama Scale & Instrument, Inc.

SERIES '100' STEEL CASE UTILITY GAUGES

SPECIFICATIONS:

STEEL CASE WITH CHROME BEZEL
BRASS INTERNALS AND
CONNECTION
DRY NON-FILLABLE
3-2-3 % ACCURACY

AVAILABLE DIAL SIZES:

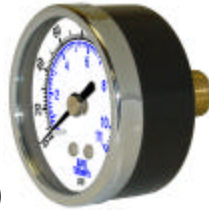
1", 1 1/2", 2", 2 1/2", 3 1/2", 4 1/2"

AVAILABLE CONNECTION SIZES:

1/8"MNPT ON 1 1/2" AND 2"
1/4"MNPT ON 2" THRU 4"



101D



102D

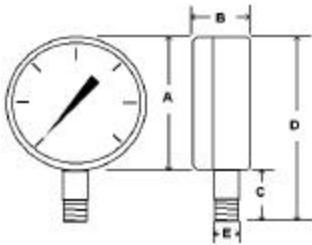


103D



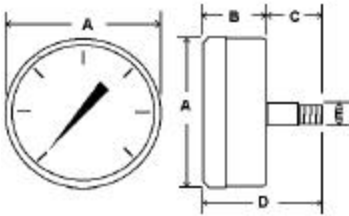
104D

101D (BLACK CASE)



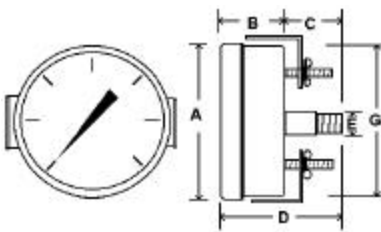
	1 1/2"	2"	2 1/2"	3 1/2"	4 1/2"
A	1.64"/42mm	2.07"/53mm	2.50"/63mm	3.53"/90mm	4.89"/124mm
B	.93"/24mm	1.03"/26mm	1.17"/30mm	1.14"/29mm	1.16"/29mm
C	.63"/16mm	.83"/21mm	.86"/22mm	1.02"/26mm	1.16"/30mm
D	2.27"/58mm	2.90"/74mm	3.36"/85mm	4.55"/116mm	6.05"/154mm
E	1/8npt	1/8 or 1/4npt	1/4npt	1/4npt	1/4npt

102D (BLACK CASE)



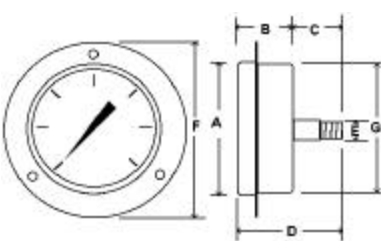
	1"	1 1/2"	2"	2 1/2"	3 1/2"	4 1/2"
A	.99"/25mm	1.64"/42mm	2.07"/53mm	2.50"/63mm	3.97"/101mm	4.5"/114mm
B	.64"/16mm	.93"/24mm	1.03"/26mm	1.17"/30mm	1.19"/30mm	1.34"/34mm
C	.46"/12mm	.63"/16mm	.83"/21mm	.86"/22mm	.83"/21mm	.84"/21mm
D	1.10"/28mm	1.56"/39mm	1.86"/47mm	2.03"/52mm	2.02"/51mm	2.18"/55mm
E	1/8 NPT	1/8 NPT	1/8" or 1/4"	1/4 NPT	1/4 NPT	1/4 NPT

103D (CHROME CASE)



	1 1/2"	2"	2 1/2"	3 1/2"
A	1.82"/46mm	2.31"/59mm	2.68"/68mm	3.97"/101mm
B	1.03"/26mm	1.17"/30mm	1.19"/30mm	1.19"/30.16mm
C	.61"/15mm	.73"/18.5mm	.76"/19mm	.83"/21mm
D	1.64"/42mm	1.90"/48.5mm	1.95"/50mm	2.02"/51mm
E	1/8npt	1/8 or 1/4npt	1/4npt	1/4npt
G	1.59"/40mm	2.02"/51mm	2.46"/63mm	3.59"/91mm

104D (CHROME CASE)



	1 1/2"	2"	2 1/2"	3 1/2"
A	1.82"/46mm	2.31"/59mm	2.68"/68mm	3.97"/101mm
B	1.03"/26mm	1.17"/30mm	1.19"/30mm	1.19"/30.16mm
C	.61"/15mm	.73"/18.5mm	.76"/19mm	.83"/21mm
D	1.64"/42mm	1.90"/48.5mm	1.95"/50mm	2.02"/51mm
E	1/8npt	1/8 or 1/4npt	1/4npt	1/4npt
F	2.47"/63mm	2.81"/71mm	3.44"/87mm	4.30"/109mm
G	1.61"/41mm	2.02"/51mm	2.46"/63mm	3.59"/91mm

Alabama Scale & Instrument, Inc.

MODEL '101D', BOTTOM CONNECTED GAUGE

- An inexpensive utility gauge for the broad commercial and industrial markets.
- Suitable for air, water, oil, gas or any other media not corrosive to brass.
- Other connection locations, mounting styles and accessories available.
- Ready for immediate shipment upon request.

AVAILABLE DIAL SIZES:

1 1/2", 2", 2 1/2", 3 1/2", 4 1/2"

AVAILABLE CONNECTION SIZES:

1/8"NPT on 1 1/2" and 2" Dial Sizes

1/4"NPT on 2" Thru 4 1/2" Dial Sizes

GENERAL SPECIFICATIONS:

Black Steel Case With Chrome Bezel
 Brass Socket And Movement
 Phosphor Bronze Bourdon Tube
 Dry Non-Fillable
 3-2-3 % Accuracy
 Ambient Temperature: -50 to 160°F



DIAL SCALE:

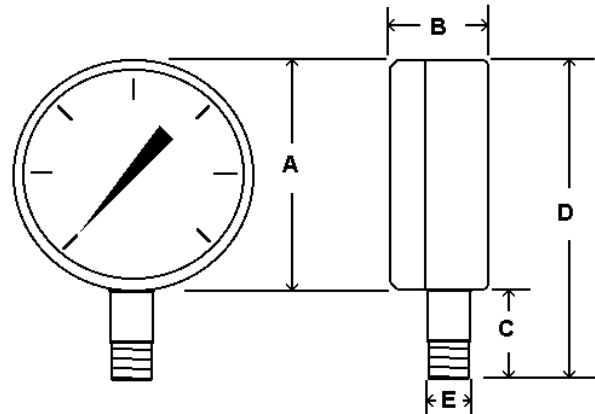
DUAL SCALE: PSI & BAR (x100=kPa) STANDARD

SINGLE SCALE: PSI ONLY

AVAILABLE

OTHER:

BY SPECIAL REQUEST



RANGE	CODE	Major Inc.	Minor Inc.
30/0"VAC	A	5" hg	.5" hg
30/0/15	CB	10"hg / 5 psi	1"hg / .5 psi
30/0/30	CC	10"hg / 10 psi	1"hg / 1 psi
30/0/60	CD	10"hg / 10 psi	2"hg / 1 psi
30/0/100	CE	30"hg / 20 psi	5"hg / 2 psi
30/0/150	CF	30"hg / 20 psi	5"hg / 2 psi
30/0/300	CH	30"hg / 50 psi	10"hg / 5 psi
0/15	B	2 PSI	.2 PSI
0/30	C	5 PSI	.5 PSI
0/60	D	10 PSI	1 PSI
0/100	E	20 PSI	2 PSI
0/160	F	20 PSI	2 PSI
0/200	G	40 PSI	5 PSI
0/300	H	50 PSI	5 PSI
0/400	I	50 PSI	5 PSI
0/600	K	100 PSI	10 PSI
0/1000	M	200 PSI	20 PSI
0/1500	N	200 PSI	20 PSI
0/2000	O	400 PSI	50 PSI
0/3000	P	500 PSI	50 PSI
0/5000	R	1000 PSI	100 PSI
0/6000	S	1000 PSI	100 PSI
0/10,000	U	2000 PSI	200 PSI

		A	B	C	D	E
1 1/2 Dial	In.	1.64"	.93"	.63"	2.27"	1/8"
	MM	42	24	16	58	MNPT
2" Dial	In.	2.07"	1.03"	.83"	2.90"	1/8" or 1/4"
	MM	53	26	21	74	MNPT
2 1/2 Dial	In.	2.5"	1.17"	.86"	3.36"	1/4"
	MM	63	30	22	26	MNPT
3 1/2 Dial	In.	3.53"	1.14"	1.02"	4.55"	1/4"
	MM	90	29	26	116	MNPT
4 1/2 Dial	In.	4.89"	1.16"	1.16"	6.05"	1/4"
	MM	124	29	30	154	MNPT

MODEL '102D', BACK CONNECTED GAUGE

- An inexpensive utility gauge for the broad commercial and industrial markets.
- Suitable for air, water, oil, gas or any other media not corrosive to brass.
- Other connection locations, mounting styles and accessories available.
- Ready for immediate shipment upon request.

AVAILABLE DIAL SIZES:

1 1/2", 2", 2 1/2", 3 1/2", 4 1/2"

AVAILABLE CONNECTION SIZES:

1/8"NPT on 1 1/2" and 2"Dial Sizes

1/4"NPT on 2" Thru 4 1/2"Dial Sizes

GENERAL SPECIFICATIONS:

Black Steel Case With Chrome Bezel
(Stainless Steel Case Available)

Brass Socket And Movement

Phosphor Bronze Bourdon Tube

Dry Non-Fillable

3-2-3 % Accuracy

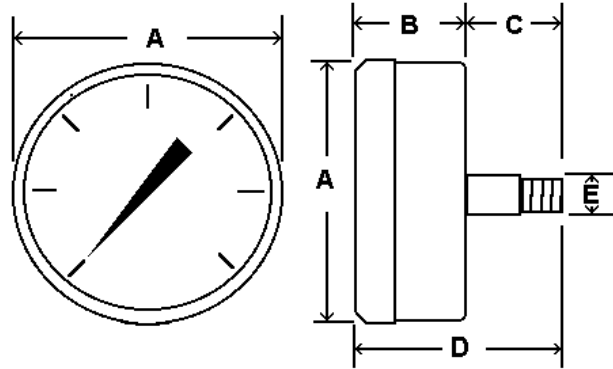
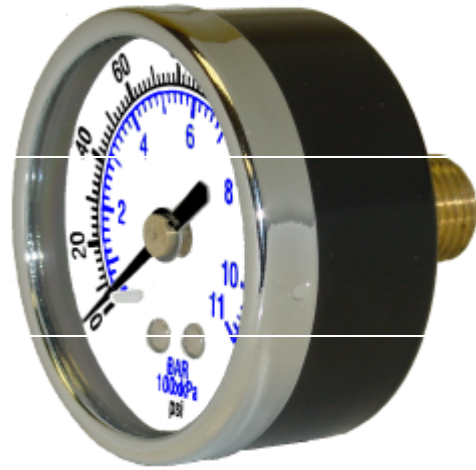
Ambient Temperature: -50 to 160°F

DIAL SCALE:

DUAL SCALE: PSI & BAR (x100=kPa) STANDARD

SINGLE SCALE: PSI ONLY AVAILABLE

OTHER: BY SPECIAL REQUEST



RANGE	CODE	Major Inc.	Minor Inc.
30/0/VAC	A	5" hg	.5" hg
30/0/15	CB	10"hg / 5 psi	1"hg / .5 psi
30/0/30	CC	10"hg / 10 psi	1"hg / 1 psi
30/0/60	CD	10"hg / 10 psi	2"hg / 1 psi
30/0/100	CE	30"hg / 20 psi	5"hg / 2 psi
30/0/150	CF	30"hg / 20 psi	5"hg / 2 psi
30/0/300	CH	30"hg / 50 psi	10"hg / 5 psi
0/15	B	2 PSI	.2 PSI
0/30	C	5 PSI	.5 PSI
0/60	D	10 PSI	1 PSI
0/100	E	20 PSI	2 PSI
0/160	F	20 PSI	2 PSI
0/200	G	40 PSI	5 PSI
0/300	H	50 PSI	5 PSI
0/400	I	50 PSI	5 PSI
0/600	K	100 PSI	10 PSI
0/1000	M	200 PSI	20 PSI
0/1500	N	200 PSI	20 PSI
0/2000	O	400 PSI	50 PSI
0/3000	P	500 PSI	50 PSI
0/5000	R	1000 PSI	100 PSI
0/6000	S	1000 PSI	100 PSI
0/10,000	U	2000 PSI	200 PSI

		A	B	C	D	E
1"	In.	.99"	.64"	.46"	1.10"	1/8"
	Dial	MM	25	16	28	MNPT
1 1/2"	In.	1.64"	.93"	.63"	1.56"	1/8" or 1/4"
	Dial	MM	42	24	39	MNPT
2"	In.	2.07"	1.03"	.83"	1.86"	1/4"
	Dial	MM	53	26	21	MNPT
2 1/2"	In.	2.50"	1.17"	.86"	2.03"	1/4"
	Dial	MM	63	30	22	MNPT
3 1/2"	In.	3.97"	1.19"	.83"	2.02"	1/4"
	Dial	MM	101	30	21	MNPT
4 1/2"	In.	4.5"	1.34"	.84"	2.18"	1/4"
	Dial	MM	114	34	21	MNPT

Alabama Scale & Instrument, Inc.

MODEL '103D', PANEL MOUNT GAUGE

A durable Dry type utility gauge designed to look good from the front or back of the panel. These gauges are suitable for air, water, oil, gas or any other media not corrosive to brass. Other connection locations, mounting styles and accessories are also available.

AVAILABLE DIAL SIZES:

1 1/2", 2", 2 1/2", 3 1/2"

AVAILABLE CONNECTION SIZES:

1/8"NPT on 1 1/2" and 2" Dial Sizes
 1/4"NPT on 2" Thru 3 1/2" Dial Sizes

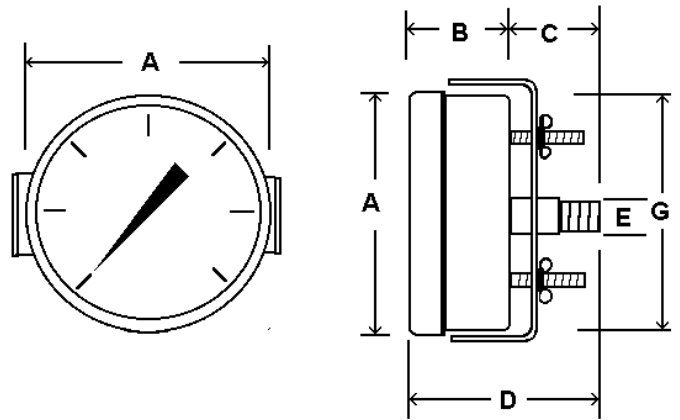
GENERAL SPECIFICATIONS:

Chrome Plated Steel Case & Bezel
 (Stainless Steel Case Available)
 Brass Socket And Movement
 Phosphor Bronze Bourdon Tube
 Dry Non-Fillable
 3-2-3 % Accuracy
 Ambient Temperature: -50 to 160°F

DIAL SCALE:

DUAL SCALE: PSI & BAR (x100=kPa) STANDARD

OTHER: BY SPECIAL REQUEST



RANGE	CODE	Major Inc.	Minor Inc.
30/0/VAC	A	5" hg	.5" hg
30/0/15	CB	10"hg / 5 psi	1"hg / .5 psi
30/0/30	CC	10"hg / 10 psi	1"hg / 1 psi
30/0/60	CD	10"hg / 10 psi	2"hg / 1 psi
30/0/100	CE	30"hg / 20 psi	5"hg / 2 psi
30/0/150	CF	30"hg / 20 psi	5"hg / 2 psi
30/0/300	CH	30"hg / 50 psi	10"hg / 5 psi
0/15	B	2 PSI	.2 PSI
0/30	C	5 PSI	.5 PSI
0/60	D	10 PSI	1 PSI
0/100	E	20 PSI	2 PSI
0/160	F	20 PSI	2 PSI
0/200	G	40 PSI	5 PSI
0/300	H	50 PSI	5 PSI
0/400	I	50 PSI	5 PSI
0/600	K	100 PSI	10 PSI
0/1000	M	200 PSI	20 PSI
0/1500	N	200 PSI	20 PSI
0/2000	O	400 PSI	50 PSI
0/3000	P	500 PSI	50 PSI
0/5000	R	1000 PSI	100 PSI
0/6000	S	1000 PSI	100 PSI
0/10,000	U	2000 PSI	200 PSI

		A	B	C	D	G	E
1 1/2 Dial	In.	1.82	1.03	.61	1.64	1.61	1/8" or 1/4"
	MM	46	26	15	42	41	MNPT
2" Dial	In.	2.31	1.17	.73	1.90	2.02	1/4"
	MM	59	30	18.5	48.5	51	MNPT
2 1/2 Dial	In.	2.68	1.19	.76	1.95	2.46	1/4"
	MM	68	30	19	50	63	MNPT
3 1/2 Dial	In.	3.97	1.19	.83	2.02	3.59	1/4"
	MM	101	30	21	51	91	MNPT