

SERIES '200' SS/BRASS LIQUID FILLED GAUGES

SPECIFICATIONS:

STAINLESS STEEL CASE AND BEZEL
 BRASS INTERNALS AND CONNECTION
 LIQUID FILLED (DRY AVAILABLE)
 1.5% ACCURACY ON 1 1/2" & 2 1/2" DIAL
 1% ACCURACY ON 4" & 6" DIAL
 (1% ACCURACY AVAILABLE ON 2 1/2" DIAL BY SPECIAL
 REQUEST ONLY - CONSULT FACTORY)

AVAILABLE DIAL SIZES:

1 1/2", 2", 2 1/2", 4", 6"

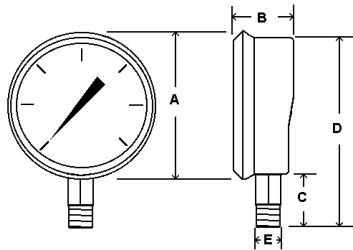
AVAILABLE CONNECTION SIZES:

1/4" MNPT ON 2 1/2" AND 4"

1/2" MNPT ON 4" AND 6"

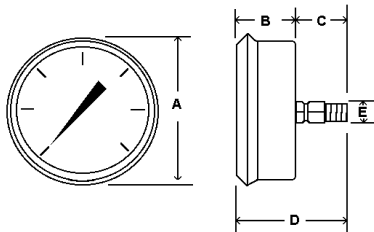


201L



	1 1/2"	2"	2 1/2"	4"	6"
A	1.88"/48mm	2.24"/57mm	2.80"/71mm	4.32"/110mm	6.54"/166mm
B	1.06"/27mm	1.27"/32mm	1.28"/33mm	1.63"/42mm	1.70"/43mm
C	.89"/23mm	.71"/23mm	1.07"/27mm	1.25"/32mm	1.68"/43mm
D	2.77"/58mm	2.80"/71mm	3.55"/90mm	5.57"/141mm	8.22"/210mm
E	1/8npt	1/8 or 1/4npt	1/4mnpt	1/4 or 1/2npt	

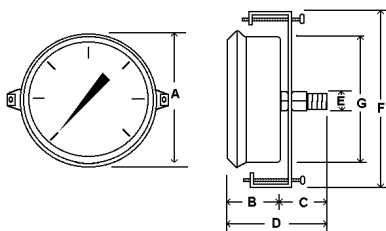
202L



	1 1/2"	2"	2 1/2"	3 1/2" *	4"	6"
A	1.88"/48mm	2.23"/57mm	2.80"/71mm	3.82"/97mm	4.32"/110mm	6.54"/166mm
B	1.06"/27mm	1.09"/28mm	1.28"/33mm	1.16"/29mm	1.63"/42mm	1.70"/43mm
C	.89"/23mm	.71"/23mm	1.18"/30mm	1.06"/27mm	1.14"/29mm	1.68"/43mm
D	1.95"/50mm	1.99"/51mm	2.46"/63mm	2.22"/56mm	2.77"/71mm	3.38"/86mm
E	1/8npt	1/8 or 1/4npt	1/4mnpt	1/4mnpt		

* 3 1/2" Dial Size = Lower Back Mount Connection

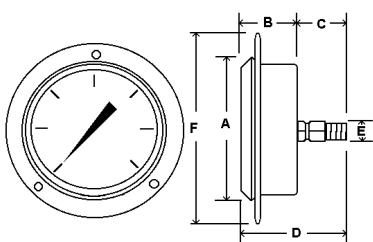
203L



	1 1/2"	2"	2 1/2"	3 1/2" *	4"
A	1.88"/48mm	2.23"/57mm	2.80"/71mm	3.82"/97mm	4.32"/110mm
B	1.06"/27mm	1.09"/28mm	1.28"/33mm	1.16"/29mm	1.63"/42mm
C	.89"/23mm	.71"/23mm	1.19"/30mm	1.06"/27mm	1.14"/29mm
D	1.95"/50mm	1.99"/51mm	2.46"/63mm	2.22"/56mm	2.77"/71mm
E	1/8npt	1/8 or 1/4npt	1/4mnpt	1/4mnpt	1/4mnpt
F	2.63"/67mm	3.00"/76mm	3.49"/89mm	3.77"/96mm	5.30"/135mm
G	1.63"/42mm	2.00"/51mm	2.50"/64mm	3.49"/88mm	3.87"/98mm

* 3 1/2" Dial Size = Lower Back Mount Connection

204L



	1 1/2"	2"	2 1/2"	3 1/2" *	4"	6"
A	1.88"/48mm	2.23"/57mm	2.80"/71mm	3.82"/97mm	4.32"/110mm	6.54"/166mm
B	1.06"/27mm	1.09"/28mm	1.28"/33mm	1.16"/29mm	1.63"/42mm	1.70"/43mm
C	.89"/23mm	.71"/23mm	1.18"/30mm	1.06"/27mm	1.14"/29mm	1.68"/43mm
D	1.95"/50mm	1.99"/51mm	2.46"/63mm	2.22"/56mm	2.77"/71mm	3.38"/86mm
E	1/8mnpt	1/8 or 1/4	1/4mnpt	1/4mnpt	1/4mnpt	1/4 or 1/2
F	2.46"/63mm	2.81"/72mm	3.48"/88mm	5.19"/132mm	5.20"/132mm	7.78"/198mm
G	1.63"/42mm	2.00"/51mm	2.50"/64mm	3.49"/88mm	3.87"/98mm	6.02"/153mm

* 3 1/2" Dial Size = Lower Back Mount Connection

Alabama Scale & Instrument, Inc.

MODEL '201L', LIQUID FILLED GAUGES

Our '200' Series Gauge Line Is A High Quality Line Of Liquid Filled Gauges. The Glycerine Filling Helps Dampen The Effects Of Pulsation And Vibration, While Also Perpetually Lubricating The Movement (And Keeping Contaminates Such As Dirt Away From All Moving Parts) Which Will Extend The Life Of The Gauge.

This Gauge Has Been Specifically Designed With The Original Equipment Manufacturers In Mind And Are Typically Used On Hydraulic & Pneumatic Systems As Well As Any Commercial Or Industrial Application Not Corrosive To Brass And Bronze Wetted Parts Where Glycerine Filling Is Suitable For Use.

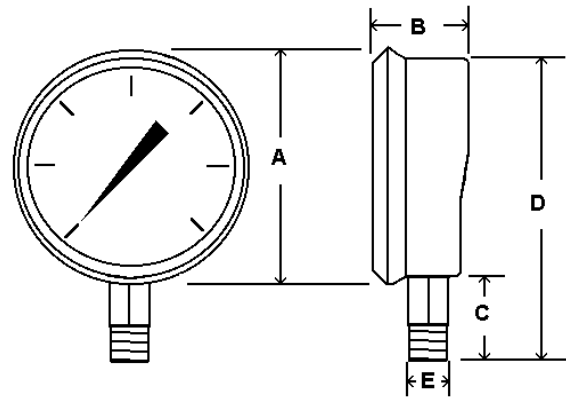
SPECIFICATIONS:

- **Available Dial Sizes:** 1 ½", 2", 2 ½", 4", 6"
- **Available Connection Sizes:**
 - 1/8"MNPT on 1 ½" and 2"
 - 1/4"MNPT on 2", 2 ½" and 4"
 - 1/2"MNPT on 4" and 6"
- **Stainless Steel Case And Bezel**
- **Brass Internals & Connection**
- **Phosphour Bronze Bourdon Tube**
- **Liquid Filled (Dry Available)**
- **Accuracy :**
 - 1 ½" and 2" Dial = 2 %
 - 2 ½" Dial Size = 1.5 %
 - 4" and 6" Dial Size = 1 %
- **Dual Scale: PSI & Bar (x100=kPa)**
 - Single Scale available from stock
- **Ambient temperature:** FILLED: 30°F to 160°F
 DRY: -30°F to 180°F



RANGE	CODE	Major In	Minor In
30/0"VAC	A	5	0.5
30/0/15	CB	5	0.5
30/0/30	CC	10	1
30/0/60	CD	10	1
30/0/100	CE	20	2
30/0/150	CF	20	2
30/0/300	CH	50	10
0/15	B	2	0.2
0/30	C	5	0.5
0/60	D	10	1
0/100	E	20	2
0/160	F	20	2
0/200	G	40	4
0/300	H	50	5
0/400	I	50	5
0/500	J	100	10
0/600	K	100	10
0/800	L	100	10
0/1000	M	200	20
0/1500	N	200	20
0/2000	O	400	50
0/3000	P	500	50
0/4000	Q	500	50
0/5000	R	1000	100
0/6000	S	2000	200
0/10,000	U	2000	200
0/15,000	V	2000	200

Some ranges not available in all dial sizes, please call with your particular application



		A	B	C	D	E
1 ½" Dial	In	1.88	1.06	.89	2.77	1/8"
	MM	48	27	23	58	Npt
2" Dial	In	2.24	1.27	.71	2.80	1/8" or
	MM	57	32	23	71	1/4"npt
2 ½" Dial	In	2.80	1.28	1.07	3.55	1/4"
	MM	71	33	27	90	Npt
4" Dial	In	4.32	1.63	1.25	5.57	1/4" or
	MM	110	42	32	141	1/2"npt
6" Dial	In	6.54	1.70	1.68	8.22	1/4" or
	MM	166	43	43	210	1/2"npt

MODEL '202L', LIQUID FILLED GAUGES

Our '200' Series Gauge Line Is A High Quality Line Of Liquid Filled Gauges. The Glycerine Filling and built in snubber Helps Dampen The Effects Of Pulsation And Vibration, While Also Perpetually Lubricating The Movement (And Keeping Contaminates Such As Dirt Away From All Moving Parts) Which Will Extend The Life Of The Gauge.

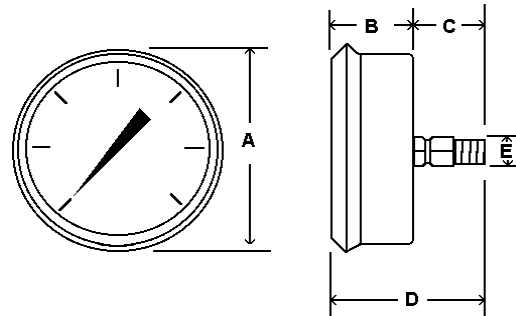
This Gauge Has Been Specifically Designed With The Original Equipment Manufacturers In Mind And Are Typically Used On Hydraulic & Pneumatic Systems As Well As Any Commercial Or Industrial Application Not Corrosive To Brass And Bronze Wetted Parts Where Glycerine Filling Is Suitable For Use.

SPECIFICATIONS:

- **Available Dial Sizes:** 1 ½", 2", 2 ½", 3 ½", 4"
- **Available Connection Sizes:** (includes built-in snubber)
 - 1/8"MNPT on 1 ½" and 2"
 - 1/4"MNPT on 2", 2 ½", 3 ½" and 4"
- **Stainless Steel Case And Bezel**
- **Brass Internals & Connection**
- **Phosphor Bronze Bourdon Tube**
- **Plastic Lens Standard (Glass Available)**
- **Liquid Filled (Dry Available)**
- **Accuracy :**
 - 1 ½" and 2" Dial = 2 %
 - 2 ½" Dial Size = 1.5 %
 - 3 ½" and 4" Dial Size = 1 %
- **Dual Scale: PSI & Bar (x100=kPa)**
 - Single Scale available from stock
- **Ambient temperature:** FILLED: 30°F to 160°F
 DRY: -30°F to 180°F



RANGE	CODE	Major In	Minor In
30/0"VAC	A	5	0.5
30/0/15	CB	5	0.5
30/0/30	CC	10	1
30/0/60	CD	10	1
30/0/100	CE	20	2
30/0/150	CF	20	2
30/0/300	CH	50	10
0/15	B	2	0.2
0/30	C	5	0.5
0/60	D	10	1
0/100	E	20	2
0/160	F	20	2
0/200	G	40	5
0/300	H	50	5
0/400	I	50	5
0/600	K	100	10
0/1000	M	200	20
0/1500	N	200	20
0/2000	O	400	50
0/3000	P	500	50
0/5000	R	1000	100
0/10,000	U	1000	100
0/15,000	V	2000	200



		A	B	C	D	E
1 ½"	In	1.88	1.06	.89	1.95	1/8"
	Dial	MM	48	27	23	50
2"	In	2.23	1.09	.71	1.99	1/8" or
	Dial	MM	57	28	23	51
2 ½"	In	2.80	1.28	1.18	2.46	1/4"
	Dial	MM	71	33	30	63
3 ½"	In	3.83	1.14	1.08	2.20	1/4"
	Dial	MM	97	29	27	56
4"	In	4.32	1.63	1.14	2.77	1/4"
	Dial	MM	110	42	29	71

Alabama Scale & Instrument, Inc.

MODEL '203L', LIQUID FILLED GAUGES

Our '200' Series Gauge Line Is A High Quality Line Of Liquid Filled Gauges. The Glycerine Filling Helps Dampen The Effects Of Pulsation And Vibration, While Also Perpetually Lubricating The Movement (And Keeping Contaminates Such As Dirt Away From All Moving Parts) Which Will Extend The Life Of The Gauge.

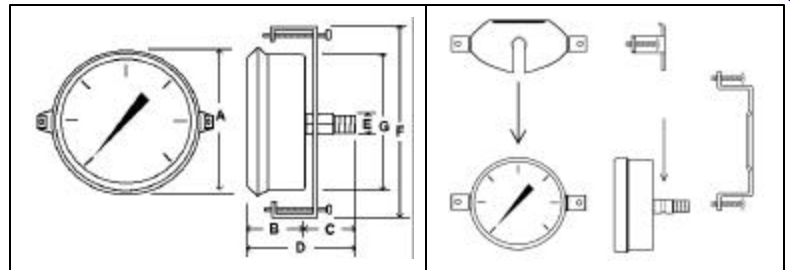
This Gauge Has Been Specifically Designed With The Original Equipment Manufacturers In Mind And Are Typically Used On Hydraulic & Pneumatic Systems As Well As Any Commercial Or Industrial Application Not Corrosive To Brass And Bronze Wetted Parts Where Glycerine Filling Is Suitable For Use.

SPECIFICATIONS:

- **U-Clamp Panel Mount Design**
- **Available Dial Sizes:** 1 ½", 2", 2 ½", 3 ½", 4"
- **Available Connection Sizes:**
 1/8"MNPT on 1 ½" and 2"
 1/4"MNPT on 2", 2 ½", 3 ½" and 4"
- **Stainless Steel Case And Bezel**
- **Brass Internals & Connection**
- **Phosphour Bronze Bourdon Tube**
- **Liquid Filled (Dry Available)**
- **Accuracy :** Standard = 3-2-3 % Per ANSI grade B
 (Special Accuracy Available Upon Request)
- **Dual Scale: PSI & Bar (x100=kPa)**
Single Scale available from stock
- **Ambient temperature:** FILLED: 30°F to 160°F
 DRY: -30°F to 180°F



RANGE	CODE	Major In	Minor In
30/0"VAC	A	5	0.5
30/0/15	CB	5	0.5
30/0/30	CC	10	1
30/0/60	CD	10	1
30/0/100	CE	20	2
30/0/150	CF	20	2
30/0/300	CH	50	10
0/15	B	2	0.2
0/30	C	5	0.5
0/60	D	10	1
0/100	E	20	2
0/160	F	20	2
0/200	G	40	5
0/300	H	50	5
0/400	I	50	5
0/600	K	100	10
0/1000	M	200	20
0/1500	N	200	20
0/2000	O	400	50
0/3000	P	500	50
0/5000	R	1000	100
0/10,000	U	1000	100
0/15,000	V	2000	200



		A	B	C	D	E	F	G
1 ½	In	1.88	1.06	.89	1.95	1/8"	2.63	1.63
	MM	48	27	23	50	Npt	67	42
2"	In	2.23	1.09	.71	1.99	1/8" or	2.81	2.00
	MM	57	28	23	51	¼"npt	72	51
2 ½	In	2.80	1.28	1.19	2.46	1/4"	3.48	2.50
	MM	71	33	30	63	Npt	88	64
3 ½	In	3.83	1.14	1.08	2.20	1/4"	3.70	3.5
	MM	97	29	27	56	Npt	94	89
4"	In	4.32	1.63	1.14	2.77	1/4"	5.20	3.87
	MM	110	42	29	71	Npt	132	98

Note: All Dial Size Gauges are Center Back Connection Except 3 ½ Dial Size which are Lower Back Connection