

SERIES '300' ALL SS LIQUID FILLED GAUGES

SPECIFICATIONS:

STAINLESS STEEL CASE AND BEZEL
 316SS INTERNALS AND CONNECTION
 LIQUID FILLED (DRY AVAILABLE)
 1.5% ACCURACY ON 1 1/2" & 2 1/2" DIAL
 1% ACCURACY ON 4" & 6" DIAL
 (1% ACCURACY AVAILABLE ON 2 1/2" DIAL BY SPECIAL REQUEST ONLY
 - CONSULT FACTORY)

AVAILABLE DIAL SIZES:

1 1/2", 2", 2 1/2", 4", 6"

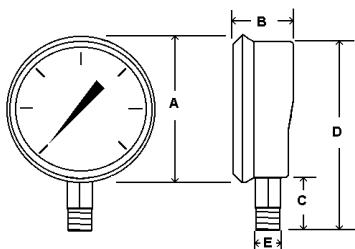
AVAILABLE CONNECTION SIZES:

1/4" MNPT ON 2 1/2" AND 4"

1/2" MNPT ON 4" AND 6"



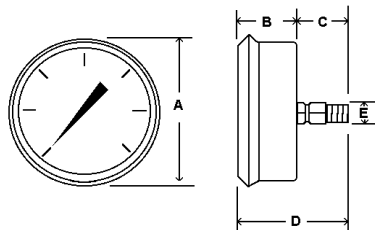
301L



	2 1/2"	4"	6"
A	2.8"	4.35"	6.5"
B	1.23"	1.28"	1.7"
C	1"	1.475"	1.41"
D	3.63"	5.75"	3.05"
E	.5"	.8"	1/4" or 1/2"

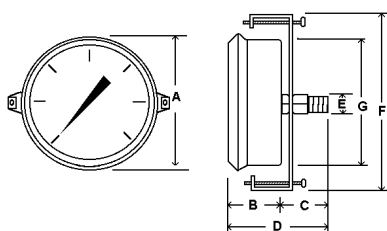
302L

(4" Dial Size = Lower Back Connected & removable Bezel)



	1 1/2"	2 1/2"	4"
A	1.7"	2.8"	4.37"
B	1.1"	1.23"	1.71"
C	.875"	1.1"	1.41"
D	2"	2.35"	3.05"
E	.55"	.5"	1/4" or 1/2"

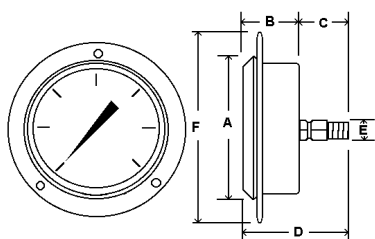
303L



	1 1/2"	2 1/2"	4"
A	1.73"	2.8"	
B	1.05"	1.23"	
C	.825"	1.1"	
D	1.8"	2.38"	
E	.375"	.5"	
F			
G	1.56"	2.45"	

304L

(4" Dial Size = Lower Back Connected & removable Bezel)



	1 1/2"	2 1/2"	4"
A	1.73"	2.8"	4.37"
B	1.05"	1.23"	1.71"
C	.825"	1.1"	1.41"
D	1.8"	2.38"	3.05"
E	.375"	.5"	1/4" or 1/2"
F		3.43"	5.22"
G	1.56"	2.45"	3.90"

Alabama Scale & Instrument, Inc.

MODEL '301L', LIQUID FILLED GAUGES

Our '300' Series Gauge Line Is A High Quality Line Of Liquid Filled Gauges. The Glycerine Filling Helps Dampen The Effects Of Pulsation And Vibration, While Also Perpetually Lubricating The Movement (And Keeping Contaminates Such As Dirt Away From All Moving Parts) Which Will Extend The Life Of The Gauge.

This Gauge Has Been Specifically Designed With The Original Equipment Manufacturers In Mind And Are Typically Used On Hydraulic & Pneumatic Systems As Well As Any Commercial Or Industrial Application Not Corrosive To 316LSS Wetted Parts Where Glycerine Filling Is Suitable For Use.

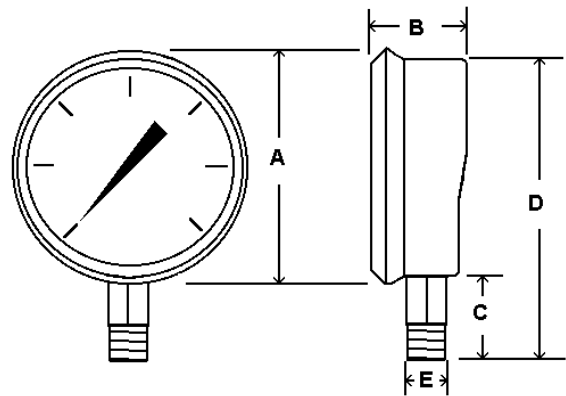
SPECIFICATIONS:

- **Available Dial Sizes:** 2 1/2", 4", 6"
- **Available Connection Sizes:**
 1/4"MNPT on 2", 2 1/2" and 4"
 1/2"MNPT on 4" and 6"
- **Stainless Steel Case And Bezel**
- **SS Internals**
- **316 SS Bourdon Tube & Connection**
- **Liquid Filled (Dry Available)**
- **Accuracy :** 2 1/2" Dial Size = 1.5 %
 4" and 6" Dial Size = 1 %
- **Dual Scale: PSI & Bar (x100=kPa)**
(Single Scale available)
- **Ambient temperature:** FILLED: 30°F to 160°F
 DRY: -30°F to 180°F



RANGE	CODE	Major In	Minor In
30/0"VAC	A	5	0.5
30/0/15	CB	5	0.5
30/0/30	CC	10	1
30/0/60	CD	10	1
30/0/100	CE	20	2
30/0/150	CF	20	2
30/0/300	CH	50	10
0/15	B	2	0.2
0/30	C	5	0.5
0/60	D	10	1
0/100	E	20	2
0/160	F	20	2
0/200	G	40	4
0/300	H	50	5
0/400	I	50	5
0/500	J	100	10
0/600	K	100	10
0/800	L	100	10
0/1000	M	200	20
0/1500	N	200	20
0/2000	O	400	50
0/3000	P	500	50
0/4000	Q	500	50
0/5000	R	1000	100
0/6000	S	2000	200
0/10,000	U	2000	200
0/15,000	V	2000	200

Some ranges not available in all dial sizes, please call with your particular application



		A	B	C	D	E
2 1/2 Dial	In	2.80	1.28	1.07	3.55	1/4"
	MM	71	33	27	90	Npt
4" Dial	In	4.32	1.63	1.25	5.57	1/4" or
	MM	110	42	32	141	1/2npt
6" Dial	In	6.54	1.70	1.68	8.22	1/4" or
	MM	166	43	43	210	1/2npt

MODEL '302L', ALL STAINLESS BACK MOUNT

Our '300' Series Gauge Line Is A High Quality Line Of Stainless Steel Gauges. Hermetically Sealing The Gauge Prevents Dust, Dirt Or Other Contaminates From Entering The Case Of The Gauge And Attacking The Movement Or Internals Of The Gauge. Keeping Out Such Contaminates Prolongs The Life Of The Gauge.

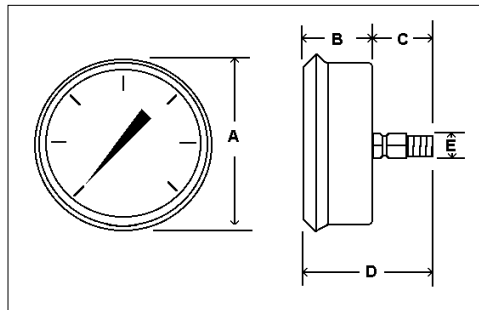
This Gauge Has Been Specifically Designed With The Original Equipment Manufacturers In Mind And Are Typically Used In Chemical Processing or Food Processing Applications As Well As Any Commercial Or Industrial Application Where Stainless Steel Components are Required.

SPECIFICATIONS:

- **Available Dial Sizes:** 1 ½", 2", 2 ½", 3 ½", 4"
- **Available Connection Sizes:**
 1/8"MNPT on 1 ½" and 2"
 1/4"MNPT on 2", 2 ½", 3 ½" and 4"
- **Stainless Steel Case And Bezel**
- **SS Internals & Connection**
- **316SS Bourdon Tube**
- **Liquid Filled (Dry Available)**
- **Accuracy :** Standard =2-1-2 % Per ANSI grade B
 (Special Accuracy Available Upon Request)
- **Dual Scale: PSI & Bar (x100=kPa)**
 Single Scale available from stock
- **Ambient temperature:** FILLED: 30°F to 160°F
 DRY: -30°F to 180°F



RANGE	CODE	Major In	Minor In
30/0"VAC	A	5	0.5
30/0/15	CB	5	0.5
30/0/30	CC	10	1
30/0/60	CD	10	1
30/0/100	CE	20	2
30/0/150	CF	20	2
30/0/300	CH	50	10
0/15	B	2	0.2
0/30	C	5	0.5
0/60	D	10	1
0/100	E	20	2
0/160	F	20	2
0/200	G	40	5
0/300	H	50	5
0/400	I	50	5
0/600	K	100	10
0/1000	M	200	20
0/1500	N	200	20
0/2000	O	400	50
0/3000	P	500	50
0/5000	R	1000	100
0/10,000	U	1000	100
0/15,000	V	2000	200



Note:
 All Dial Size Gauges are Center Back Connection
 Except 3 ½" Dial Size which are Lower Back Connection

		A	B	C	D	E	F	G
1 ½"	In	1.88	1.06	.89	1.95	1/8"	2.63	1.63
	Dial MM	48	27	23	50	Npt	67	42
2"	In	2.23	1.09	.71	1.99	1/8" or	2.81	2.00
	Dial MM	57	28	23	51	¼"npt	72	51
2 ½"	In	2.80	1.28	1.19	2.46	1/4"	3.48	2.50
	Dial MM	71	33	30	63	Npt	88	64
3 ½"	In	3.83	1.14	1.08	2.20	1/4"	3.70	3.5
	Dial MM	97	29	27	56	Npt	94	89
4"	In	4.32	1.63	1.14	2.77	1/4"	5.20	3.87
	Dial MM	110	42	29	71	Npt	132	98

MODEL '303L', ALL STAINLESS GAUGES

Our '300' Series Gauge Line Is A High Quality Line Of All Stainless Gauges. Hermetically Sealing The Gauge Prevents Dust, Dirt Or Other Contaminates From Entering The Case Of The Gauge And Attacking The Movement Or Internals Of The Gauge. Keeping Out Such Contaminates Prolongs The Life Of The Gauge.

This Gauge Has Been Specifically Designed With The Original Equipment Manufacturers In Mind And Are Typically Used On Chemical or Food Processing Applications As Well As Any Commercial Or Industrial Application Where Stainless Steel Components are Necessary.

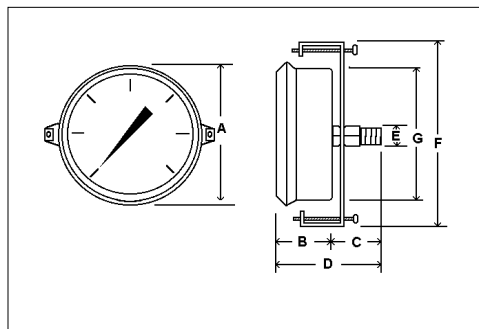
SPECIFICATIONS:

- **U-Clamp Panel Mount Design**
- **Available Dial Sizes:** 1 ½", 2", 2 ½", 3 ½", 4"
- **Available Connection Sizes:**
 - 1/8"MNPT on 1 ½" and 2"
 - 1/4"MNPT on 2", 2 ½", 3 ½" and 4"
- **Stainless Steel Case And Bezel**
- **Stainless Steel Internals & Connection**
- **316SS Bourdon Tube**
- **Liquid Filled (Dry Available)**
- **Accuracy :** Standard = 3-2-3 % Per ANSI grade B
(Special Accuracy Available Upon Request)
- **Dual Scale: PSI & Bar (x100=kPa)**
 - Single Scale available from stock
- **Ambient temperature:** FILLED: 30°F to 160°F
DRY: -30°F to 180°F



(Filled Gauge Pictured Here)

RANGE	CODE	Major In	Minor In
30/0"VAC	A	5	0.5
30/0/15	CB	5	0.5
30/0/30	CC	10	1
30/0/60	CD	10	1
30/0/100	CE	20	2
30/0/150	CF	20	2
30/0/300	CH	50	10
0/15	B	2	0.2
0/30	C	5	0.5
0/60	D	10	1
0/100	E	20	2
0/160	F	20	2
0/200	G	40	5
0/300	H	50	5
0/400	I	50	5
0/600	K	100	10
0/1000	M	200	20
0/1500	N	200	20
0/2000	O	400	50
0/3000	P	500	50
0/5000	R	1000	100
0/10,000	U	1000	100
0/15,000	V	2000	200



Note:

All Dial Size Gauges are Center Back Connection Except 3 ½" Dial Size which are Lower Back Connection

		A	B	C	D	E	F	G
1 ½"	In	1.88	1.06	.89	1.95	1/8"	2.63	1.63
	Dial	MM	48	27	23	50	Npt	67
2"	In	2.23	1.09	.71	1.99	1/8" or	2.81	2.00
	Dial	MM	57	28	23	51	1/4"npt	72
2 ½"	In	2.80	1.28	1.19	2.46	1/4"	3.48	2.50
	Dial	MM	71	33	30	63	Npt	88
3 ½"	In	3.83	1.14	1.08	2.20	1/4"	3.70	3.5
	Dial	MM	97	29	27	56	Npt	94
4"	In	4.32	1.63	1.14	2.77	1/4"	5.20	3.87
	Dial	MM	110	42	29	71	Npt	132